



gemini
ITALY

**RECHARGEABLE
2-IN-1 CYCLONIC
VACUUM CLEANER**

**充電式二合一
旋風直立/手提式吸塵機**

MODEL NO 型號: GVC14B



A GILMAN GROUP BRAND

SAFETY INSTRUCTIONS

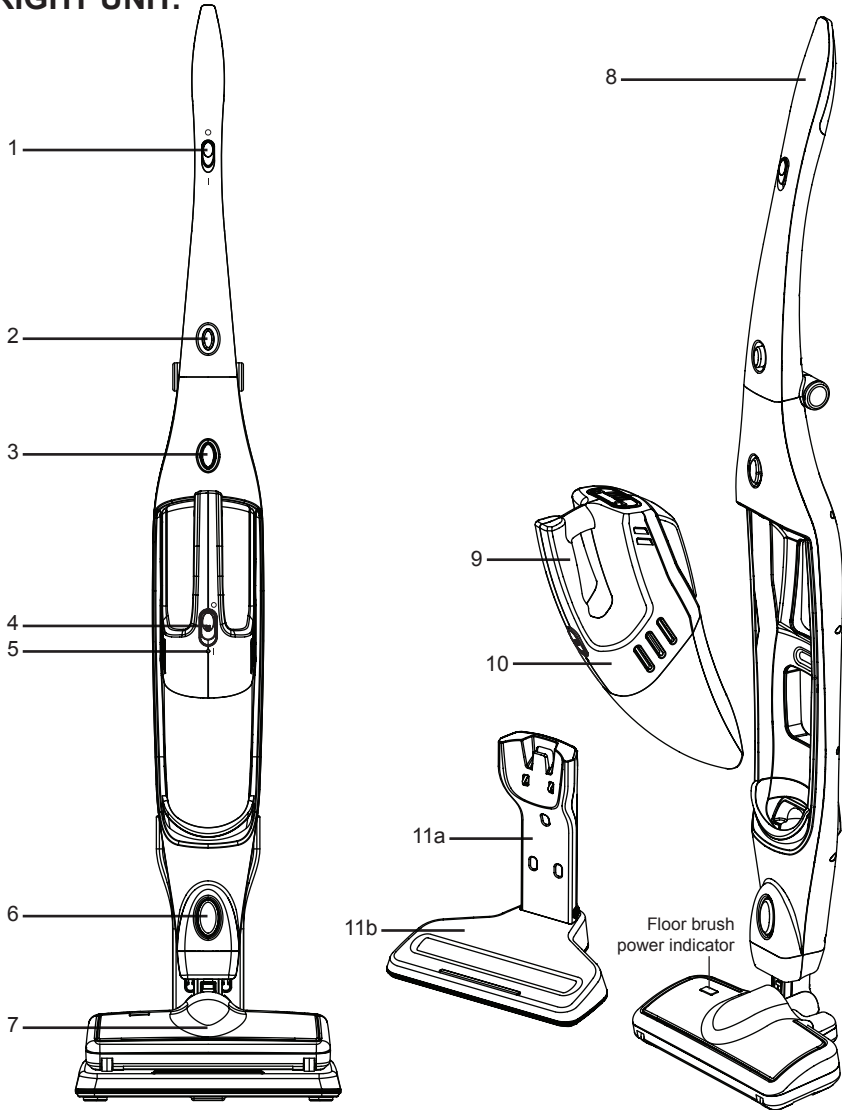
Read all safety warnings and all instructions. Failure to follow the warnings and instructions may result in electric shock, fire and/or serious injury.

- This appliance can be used by children aged from 8 years and above and persons with reduced physical, sensory or mental capabilities or lack of experience and knowledge if they have been given supervision or instruction concerning use of the appliance in a safe way and understand the hazards involved. Children shall not play with the appliance. Cleaning and user maintenance shall not be made by children without supervision.
- Read through the instructions carefully before using the appliance for the first time. Safeguard them for future reference.
- Do not let children to play with this appliance
- This is not a Toys.
- This vacuum cleaner requires a certain amount of maintenance if it is to function properly.
- This appliance has been designed for indoors and domestic use only. It must only be used in accordance with these instructions. The manufacturer will not be held responsible for any damage caused by improper or misuse of the appliance.
- Connect it only to the voltage stated on the characteristics plate.
- Never leave the vacuum cleaner unattended while it is running.
- Do not attempt to charge the appliance at temperatures below 0° or above 40°C.
- The appliance cannot aspirating an aqueous solution that may contain foaming detergent.
- Do not dismantle the vacuum cleaner while the motor is still operating.
- Never use the vacuum cleaner without the filter.
- Always keep the openings clean and prevent dust or dirt from blocking the air passage.
- Do not put any objects into openings. Do not use with any opening blocked until the obstacles removed.
- Never use the vacuum cleaner to suck up explosive, flammable or combustible liquids or anything that may be still burning such as cigarette butts or ash/cinders. Never vacuum up toxic materials, organic solvents or acids.
- Never vacuum up solid, sharp or piercing objects that may damage the filter.
- Do not use wet hands to operate the cleaner, plug or unplug the charger.
- Do not leave the plug hanging freely.
- Do not expose the vacuum cleaner to outdoor weather conditions, moisture or heat.
- Do not leave the appliance close to heat sources like ovens or heaters, nor allow the cable to come into contact with hot surfaces.

- Do not clean any parts in a dishwasher.
- Do not use a wet cloth of thinner, benzene or other volatile substance to clean the unit.
- Do not immerse the motor housing, cable or charger in water or any other liquid.
- Do not take the batteries out of their compartment, excluding disposal conditions.
- Do not switch the appliance on if either the cable or plug are damaged, if it can be detected that it is not operating correctly or if it has suffered any type of damage.
- Any type of repair work other than that stated in instruction manual must be done exclusively by an Authorized Technical Service Center.
- The appliance is only to be used with the power supply unit provided with the appliance.
- The appliance must only be supplied at safety extra low voltage corresponding to the marking on the appliance.
- The appliance must be disconnected from the supply mains when removing the battery.
- Do not use the vacuum cleaner without Dust Tank and filter in place
- Never suck up water or any other liquid.
- Never suck up flammable substances and do not suck up ashes until they are cold.
- Remove the appliance from the adaptor, before cleaning or replacing the filter. Allow the appliance to cool completely before cleaning or storing.
- Do not point the appliance at the eyes, ears or mouth during operation.
- Make sure the dust container is properly installed before use.

PRODUCT OVERVIEW

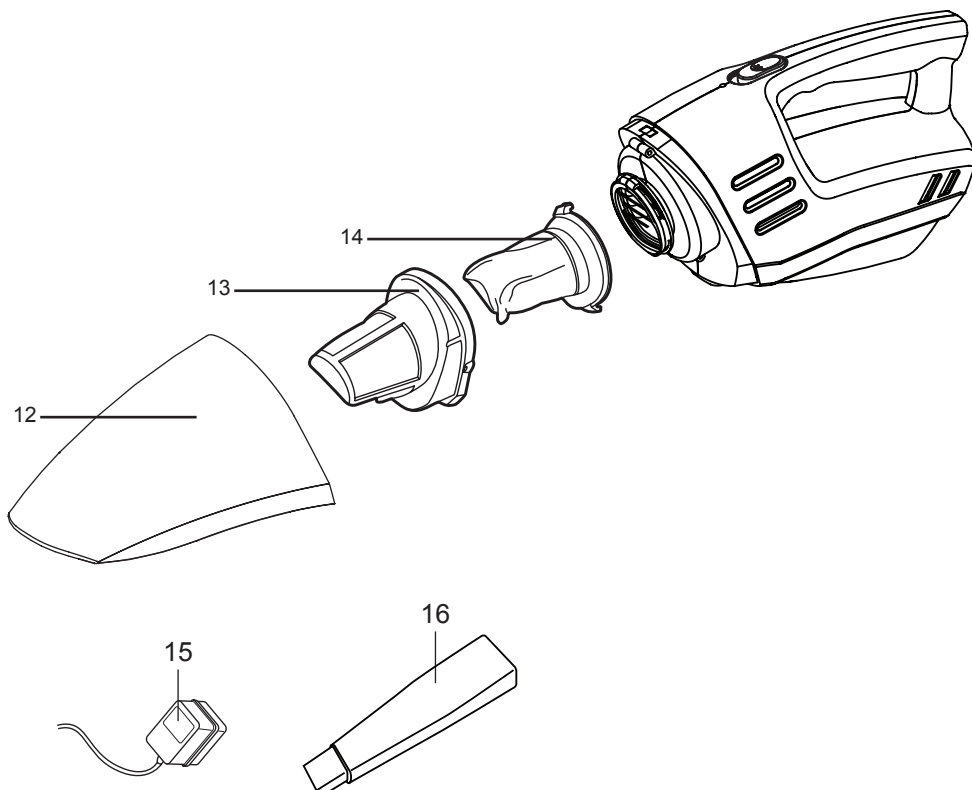
UPRIGHT UNIT:



- 1. Stick ON/OFF Switch
- 2. Folding Handle Release Button
- 3. Handheld Release Button
- 4. Handheld ON/OFF Switch
- 5. Charging Indicator
- 6. Floor Brush Release Button

- 7. Floor Brush
- 8. Stick Handle
- 9. Handheld Handle
- 10. Handheld Unit
- 11a. Charger Base (Upper part)
- 11b. Charger Base (Lower part)

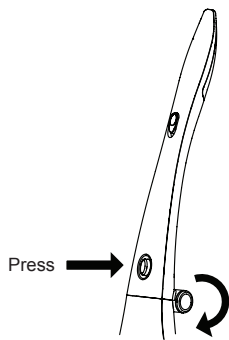
HANDHELD UNIT



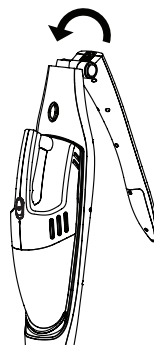
- 12. Dust Container
- 13. Cyclonic Filter
- 14. Filter
- 15. Adaptor
- 16. Crevice tool

FOLDABLE HANDLE

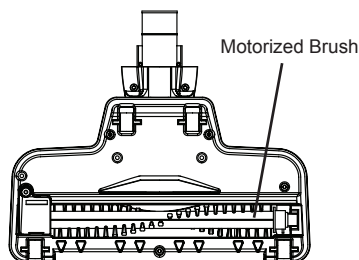
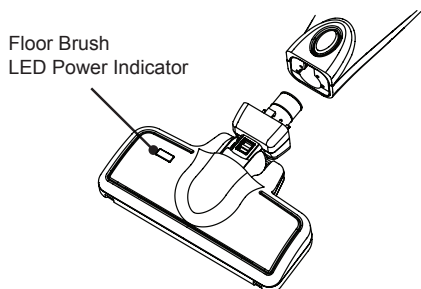
To lower the handle, press the folding handle release button.



Lift the handle to an upright position, the handle will lock automatically.



DETACHABLE FLOOR BRUSH

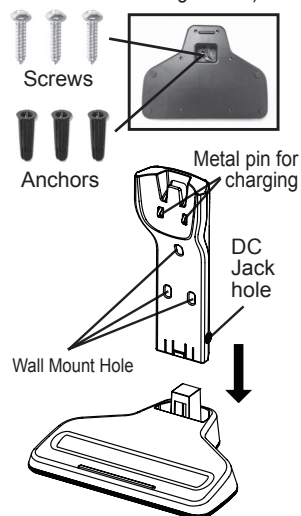


ASSEMBLING THE CHARGER BASE

Wall mounting:

- Choose a position close to an electrical wall socket.
- Before fitting it, make sure that there are no dangerous objects hidden below the surface of the wall, such as electrical wires, pipes, etc.
- Place the wall mount against the wall and mark the places where the screws will go.
- Drill the holes and insert the anchors into the hole until level the wall surface.
- Fit the screws into the anchors and remain 2 mm space from the wall surface.
- Once the screws are fitted, place the wall mount onto them and press it gently downward to make it secure.
- Insert the jack for the charger into socket on the wall mount.

Storage area for screws and anchors (Located on the back of charger base)



Charging base:

Insert the upper part of the charging base to the lower part.

INSTRUCTION FOR USE

Before using your vacuum cleaner for the first time, allow the battery to charge for 14-16 hours.

CHARGING

Charge the battery for 14 - 16 hours when:

- Using the product for the first time
- After not using the product for a long period of time

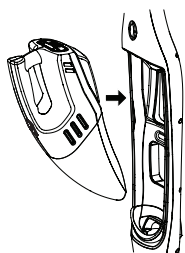
Make sure the vacuum cleaner switched off. The adaptor should be connected to a 200-240V~50/60Hz power supply.

Always keep your vacuum cleaner in charging condition when not in use, in order to ensure full cleaning capacity.

NOTE:

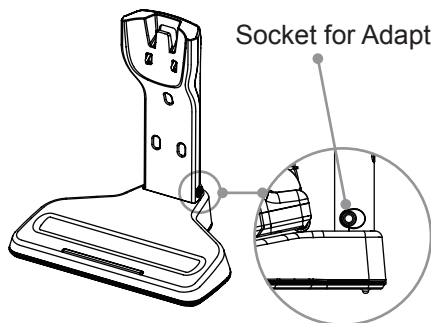
Charging should not be carried out when the ambient temperature is below 0°C or above +40°C. The charger will become warm during use. This is perfectly normal.

1. INSERT THE HANDHELD UNIT TO THE UPRIGHT UNIT



Make sure the upright unit is switched OFF.
Avoid any obstacles in between the handheld unit and the upright unit.

2. ATTACH THE UPRIGHT UNIT ONTO THE CHARGER BASE



Socket for Adaptor

Make sure the charger base is placed on a flat stable floor.

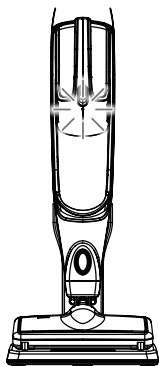
Attached the upright unit onto the charger base and the charging indicator will turn on.

If the upright unit is not attached to the charger base properly, charging will not start.

Avoid any dust in between the charger base and the unit, clean the contacts if necessary.

Do not stumble over by the power cable during charging.

3. CONNECT THE POWER CABLE TO THE MAIN SOCKET



The charging indicator will illuminate blue to indicate that the vacuum cleaner is being charging.

HINT: It is recommended to charge the vacuum cleaner for at least 14-16 hours before use.

It is normal that the charger base and the unit will get warm while charging.

OPERATION OF THE UPRIGHT VACUUM CLEANER

1. Slide the ON/OFF switch to switch on the upright vacuum cleaner.
2. During use, the LED power indicator at the floor brush will light on.

OPERATION OF THE HANDHELD VACUUM CLEANER

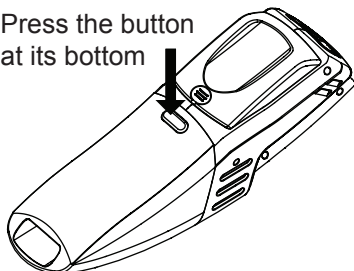
1. Press the handheld release button to detach the handheld vacuum cleaner from the upright unit. Slide the ON/OFF switch of the vacuum cleaner to ON and hold the handheld vacuum cleaner will start to work.
2. Vacuum the surface in any direction until the area is clean.
3. Slide the ON/OFF switch to OFF the handheld vacuum cleaner. Slightly lift the appliance head upward to avoid dust run out from dust container before switching off.
4. Empty the container after use.
5. Assemble the handheld vacuum cleaner to the upright unit for charging after every use.

MAINTENANCE / CLEANING

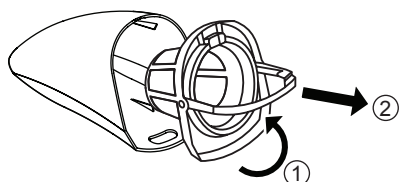
- Always switch off the vacuum cleaner before cleaning.
- Empty the container after use every time.

1. Detach the dust container

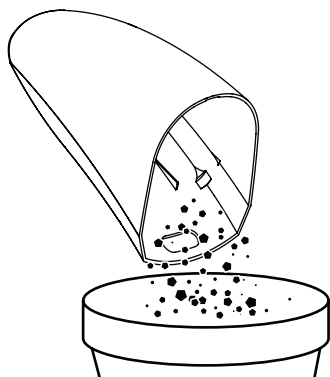
Press the button
at its bottom



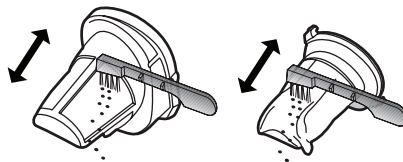
2. Pull out the filters



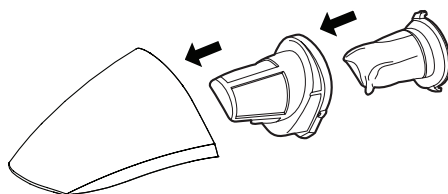
3. Empty the dust container



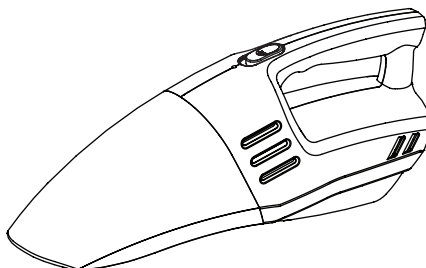
4. Clean the filters by brush (not included)



5. Re-install the filters in place



6. Re-install the dust container
in proper position

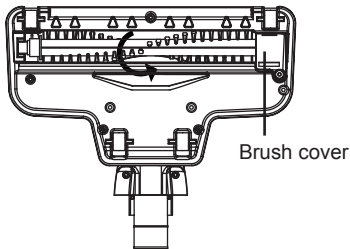


Caution:

- Do not vacuum up large objects such as tissue papers. This will cause blockage and lower the suction power .
- Never vacuum up flammable substances and do not vacuum up ashes until they are cold.
- Always dispose the dust and clean the filters frequently, otherwise the dust will damage the motor.

Floor Brush

Carry out the maintenance if any waste threads or hair gets tangled in the brush. Take out the brush cover to detach the floor brush from the upright unit.

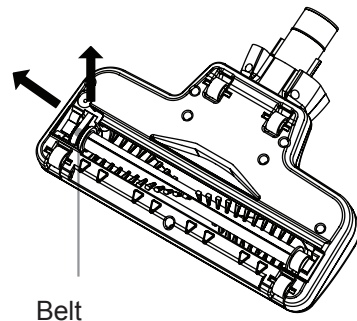
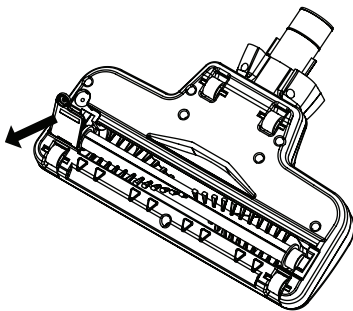


Regular Maintenance

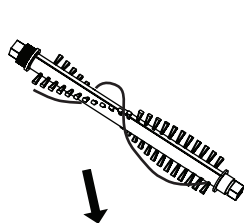
Slowly rotate the brush manually and remove any foreign objects tangled around the brush.

Maintenance when the floor brush cannot be manually rotated

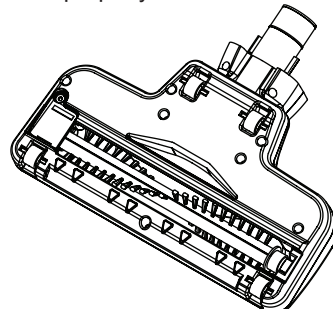
1. Unscrew the left hand side and then lift and dislodge the brush cover.
2. Push the brush shaft left and lift it up. Remove the belt and take away the brush shaft.



3. Take out the rotating brush and then remove the blockage and waste.
4. Re-install the rotating brush again. Finally, check if the brush cover is securely fixed and the rotating brush rotates properly.



Take out the wastes



SPECIFICATION

Power Source : Re-chargeable battery
Power consumption for charging battery : Input: AC 200V - 240V ~ 50Hz/60Hz
Output: DC. 25V $\overline{\overline{=}}$ 200mA
Operating Voltage : 14.4V
Type of battery used : NiMH Battery
Required time for battery charging : 14 - 16 Hours
Usable temperature range for operation : 0°C to 40°C

Product dimension :

- 1) Stickvac : 260mm (W) x 1110mm (H) x 205mm (D)
(Not including charging base)
- 2) Handheld: 370mm (W) x 145mm (H) x 105mm (D)

DISPOSAL OF THE APPLIANCE



This symbol on the product or in the instructions means that your electrical and electronic equipment should be disposed at the end of its life separately from your household waste. There are separate collection systems for recycling in the EU. For more information, please contact the local authority or your retailer where you purchased the product.

重要事項

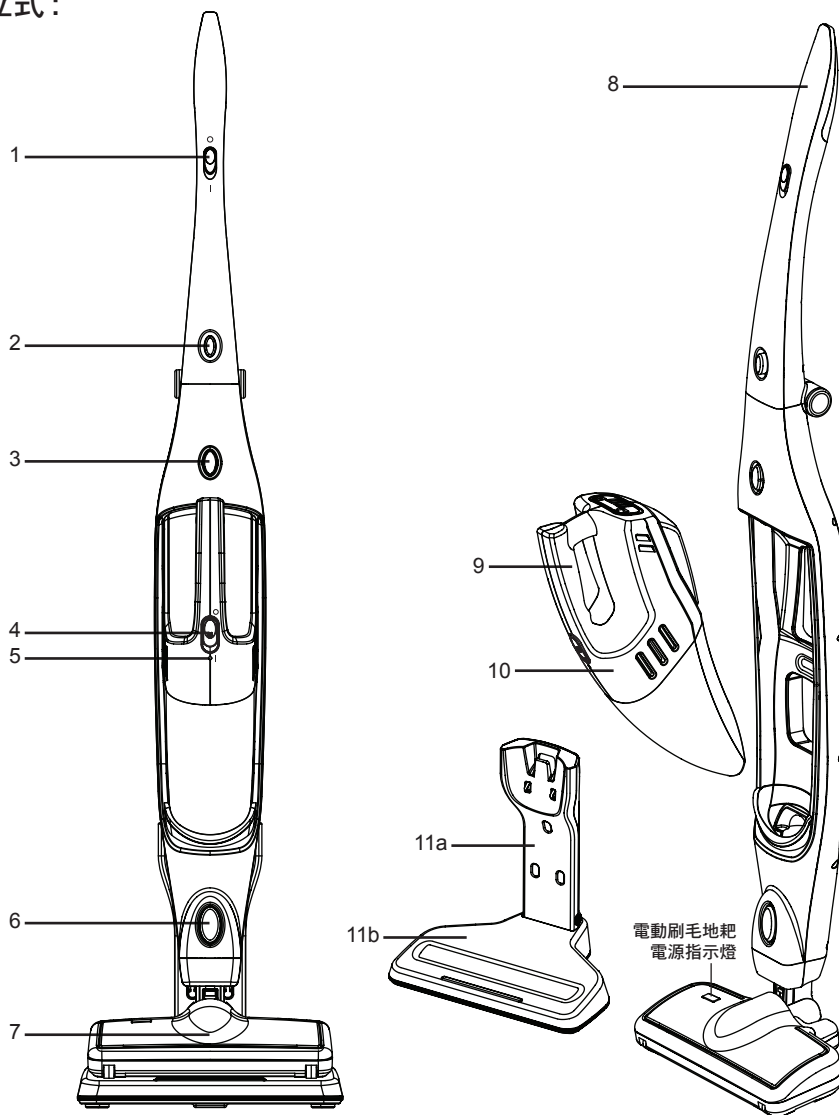
閱讀所有的警告提示和指示。如未確實遵循警告提示和指示，可能導致電擊、火災或其他嚴重傷害。

- 本產品原本並不是設計提供給兒童以及身體、感官或心智能力有缺陷或是缺乏相關經驗及知識的人士使用。八歲以上兒童以及身體、感官或心智能力有缺陷，或是缺乏相關經驗及知識的人士，只要在他人照看下或接受過如何安全處置此吸塵器的指導，並充份瞭解相關危險，即可使用該吸塵器。否則可能會造成操作上的錯誤以及受傷危險。
- 第一次使用本產品前，請徹底閱讀本產品說明書。讀後，請妥善保存說明書。
- 本產品不可給於兒童玩弄。
- 本產品不是玩具
- 如本產品功能良好及運作正常，請定期檢查及保養本產品。
- 本產品只限於室內及家居使用，請遵從說明書上的使用方法使用。生產商/供貨商概不負責因任何不正當或錯誤使用而造成的任何損失。
- 請按照產品上及充電器上的電源標籤連接電源，否則會造成損壞。
- 必須看管好處於運作狀態的吸塵機。
- 不可在低於0°C或高於40°C的溫度情況下進行充電。
- 不可吸入任何可能產生泡沫的洗滌劑或水溶液。
- 產品運作時，不可拆開本產品。
- 確保塵網組件安裝好，才可使用本產品，否則可能造成損壞。
- 吸入口與通風口不得遮蓋或堵塞。不可阻塞所有開口，開口被阻塞時不可使用，需移除阻塞物才能使用。
- 不可讓本產品吸入任何正在燃燒/燃點的物品，如燃點的香煙或煙灰。不可吸入任何爆炸性物質、易燃性物品、可燃性液體、高溫物品、毒性物質、有機溶劑、腐蝕性或強酸性物質。
- 不可吸入如玻璃碎片、釘子、石頭、針頭或刀片等邊緣銳利的物品。以免過濾器受損。
- 手濕時不要使用本產品、插入或拔出充電器。
- 不使用充電器為產品充電時，請拔出充電器及妥善保存產品。
- 請勿暴露本產品於室外、潮濕或高溫環境。
- 請勿放置本產品和充電器電線於熱源附近，如暖爐、發熱器等。
- 不可使用碗碟機清洗本產品的組件。
- 不可使用任何溶劑、苯或易揮發的物質清潔本產品。
- 不可把本產品和充電器等浸於水或任何液體中。
- 如發現本產品有損壞，如運作不正常、電線損壞和插頭損壞等情況，請勿開動本產品。
- 如在保養期內產品需維修時，請聯絡本公司客戶服務中心。
- 只能使用本產品提供的充電器為本產品充電。
- 本產品為安全低電壓產品。

- 如沒有正確安裝塵網組件時，不可使用本產品。
- 不可使用本產品吸入任何水分或液體。
- 不可使用本產品吸入易燃物體，不可吸入燃點的香煙或煙灰，直至完全冷卻。
- 在清理或組裝塵網組件前，必須將本產品的充電器移除。清潔或儲存前必須待本產品完全冷卻。
- 當本產品運作時，不要把本機靠近眼睛、耳朵或口。
- 使用前，必須確保集塵箱安裝妥當。

部件

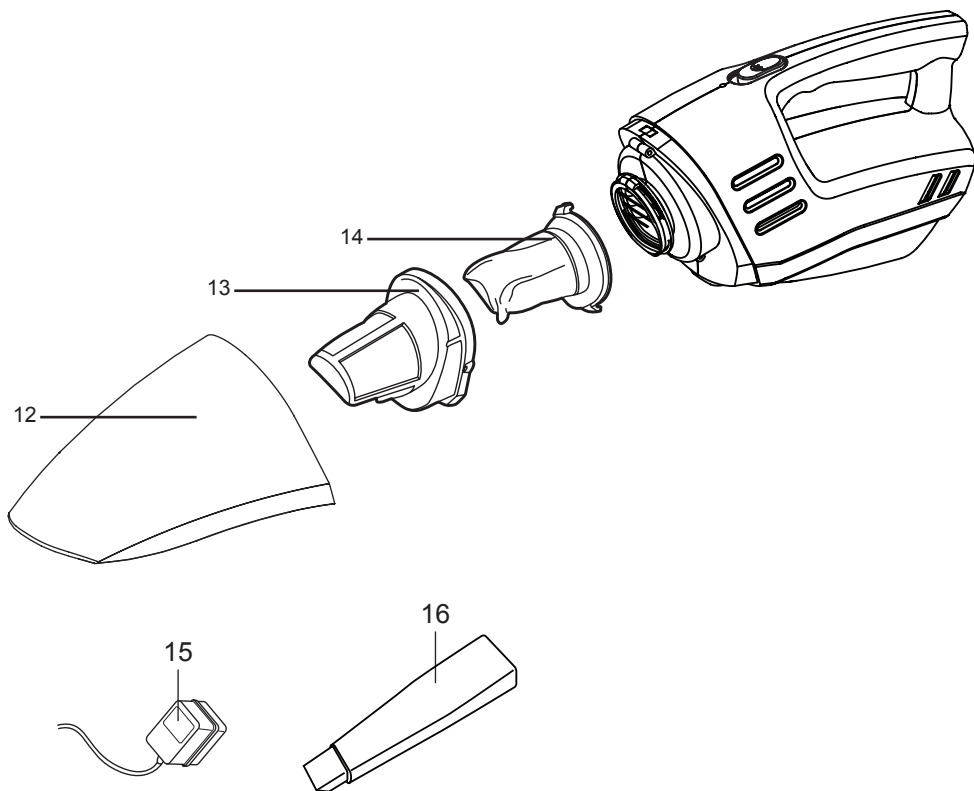
直立式：



- 1. 手柄開關制
- 2. 摺疊手柄制
- 3. 無線手提吸塵機釋放制
- 4. 無線手提吸塵機回彈式開關制
- 5. 充電顯示燈
- 6. 電動刷毛地耙釋放制

- 7. 電動刷毛地耙
- 8. 手柄
- 9. 無線手提吸塵機手柄
- 10. 無線手提吸塵機
- 11a. 充電座 (上半部)
- 11b. 充電座 (下半部)

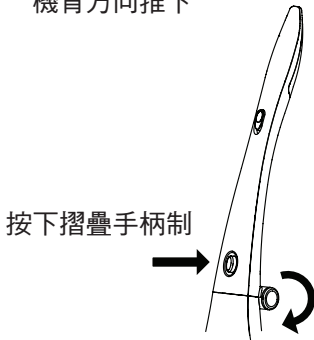
手提式：



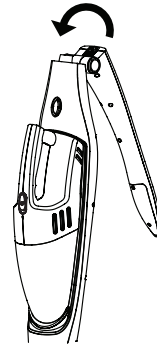
- 12. 集塵箱
- 13. 前塵網
- 14. 塵網
- 15. 充電器
- 16. 縫隙吸咀

摺合手柄

摺合手柄 - 按下摺疊手柄制，把手柄向機背方向推下

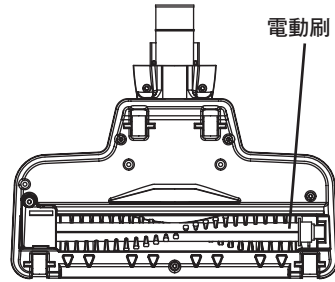
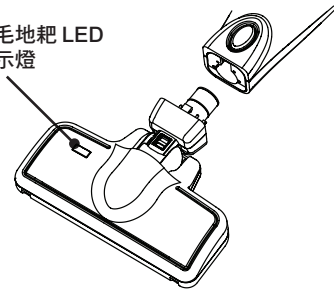


拉直手柄 - 把手柄向上推，直至手柄拉直及扣住



可拆式電動刷毛地耙

電動刷毛地耙 LED
電源指示燈



電動刷

螺絲及螺絲固定
膠件存放位置
(位於充電座底部)

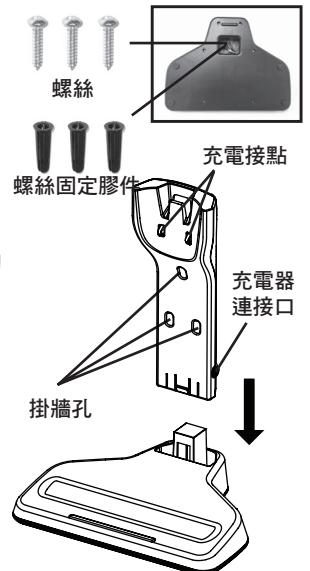
安裝充電座

掛牆:

- 選擇靠近電源插座的位置。
- 在安裝之前，請確保牆壁下方或牆內沒有隱藏任何危險物品，如電線，管道等。
- 將牆壁安裝件靠在牆壁上，並標記螺絲將要安裝的位置。
- 於牆壁鑽孔並將螺絲固定膠件插入孔中，直到水平。
- 將螺絲安裝在螺絲固定膠件中，並與牆壁表面保持2mm的距離。
- 當完成安裝螺絲，將充電座的牆壁安裝架安裝於螺絲上，輕輕向下按壓使其更穩固。
- 將充電器的電源插頭插入牆上的充電插座上。

充電座:

- 將充電座的上半部插入下半部。



使用前

第一次使用前，請把吸塵機充電約 14 - 16 小時才使用。

充電注意事項

確保吸塵機已關上。

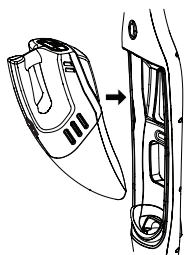
- 第一次使用前必須先行充電至少14-16小時。
- 長時間儲藏或未使用後必須先行充電才可使用。

充電器應該連接 200 - 240V ~ 50/60Hz 電源。把充電器的插頭插入充電器連接口，之後把充電器接上電源。充電指示燈會亮起，這表示吸塵機正在充電中。直至完成充電至所需時間，充電指示燈仍會一直亮著。當用完清潔後待下次使用時，請將本產品充電，以確保下次使用時的最佳清潔效果。

注意:

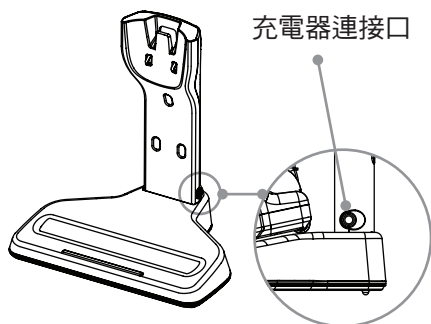
充電時，請確保環境溫度在 0°C 至 40°C 之間。充電時充電器表面會產生熱力，這是正常情況。

1. 將手提吸塵機裝回主機身



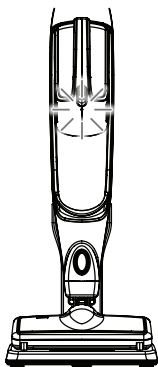
手提吸塵機開關制必須在關的位置，
手提吸塵機和主機之間不可有雜物。

2. 把主機放回充電座



確保充電座平放於平坦地上，將主機擺放在充電座上，充電指示燈亮起並開始充電。如果主機擺放位置不正確，主機將不能充電，還可能會翻倒充電座，充電座應放於平坦的地方上，否則可能會引致不能充電，小心不要被充電器電線絆倒。

3. 充電器接上電源



充電顯示亮了藍燈表示正在充電中。

提示：每次充電時間為14 - 16小時。

充電時機身會有微溫，此屬正常。

使用直立式吸塵機

- 將手柄開關掣向前推至開啟位置。
- 使用時，地耙上的LED電源指示燈將會點亮。

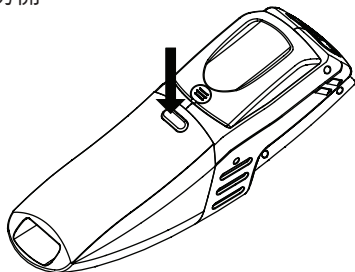
使用手提吸塵機

- 按下無線手提吸塵機釋放制並拉起手提吸塵機。將無線手提吸塵機開關掣向前推及壓住至開啟位置，然後可開始進行清潔。
- 將無線手提吸塵機開關掣推向關機。關機前請將機頭稍微向朝上，以避免灰塵從主機中掉出。
- 為了每次開始使用時吸塵機時能夠達到最佳效能，請每次使用後清理集塵箱。
- 使用後，將無線手提吸塵機放回主機身作充電用途。

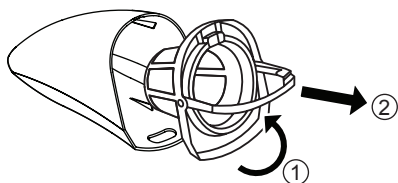
清潔及保養

- 為了每次開始使用時吸塵機時能夠達到最佳效能，每次使用後清理集塵箱。
- 確保在清潔前關閉電源。

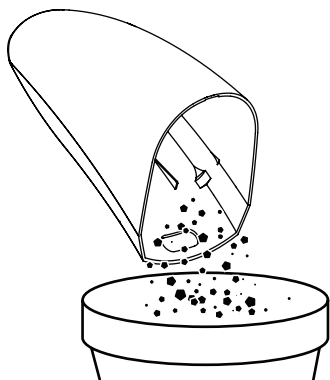
1. 按下集塵箱後方的釋放制，把集塵箱與主機分開。



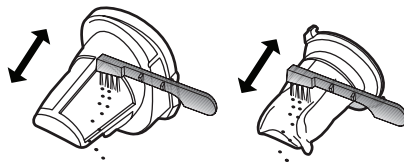
2. 把過濾網從集塵箱拉出。



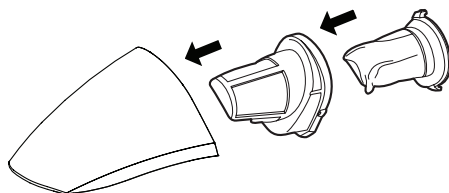
3. 清理集塵箱。



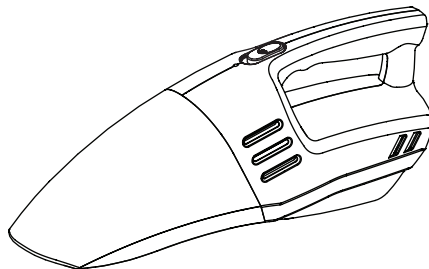
4. 使用毛刷 (不包括) 清理過濾網。



5. 把過濾網裝回集塵箱。



6. 將集塵箱裝回無線手提吸塵機及扣上到位。

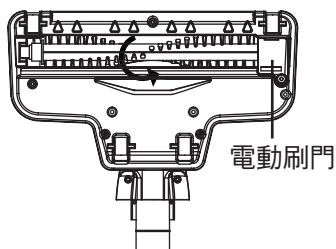


警告：

- 請勿一次過吸入大量塵和垃圾或吸入大件垃圾如紙巾等，這會減弱吸塵機的功能。
- 不要吸入汽油，燃料，燃燒中的煙灰等，這會引起火警。
- 應常清理垃圾，否則會引至吸塵機損壞。

電動刷毛地耙

如果頭髮和毛線糾纏於電動刷內，請用下列方法清理電動刷。
打開電動刷門，把刷毛軸橫向抽出。

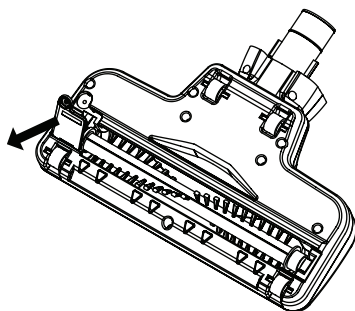


一般清理方法

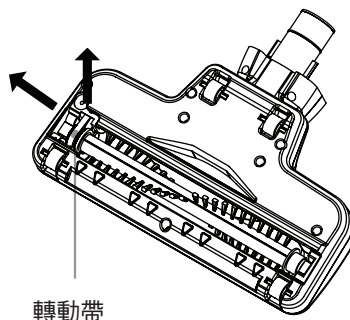
用手把滾動電動的毛刷慢慢轉動，
把頭髮和線取出

如旋轉毛刷不能自行轉動

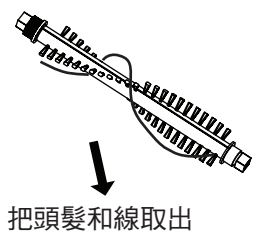
1. 打開電動刷底部的電動刷門。



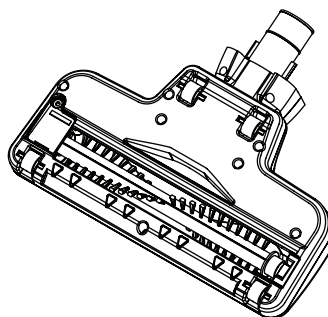
2. 把電動刷門位置一邊的旋轉毛刷
提高，並把旋轉毛刷上的轉動帶
拉開。



3. 把旋轉毛刷取出，用手把頭髮等雜物
清理。如垃圾糾纏難以清理，可使用
小刀或美工刀，沿毛刷軸上的坑槽把
雜物清理。



4. 把旋轉毛刷裝回地耙，並把轉動帶套
回，並裝上電動刷門蓋。



產品規格

電源 : 可充電式電池
充電規格 : 輸入 : AC 200V- 240V ~ 50Hz/60Hz
 輸出 : DC 25V \equiv 200mA
電壓 : 14.4V
電池種類 : NiMH 電池
所需充電時間 : 14 - 16 小時
操作環境溫度 : 攝氏0度至40度
產品尺寸:
直立式吸塵機: 260(長) x 1110(高) x 205(闊) 毫米
(不包括充電座)

手提式吸塵機: 370(長) x 145(高) x 105(闊) 毫米

電器的處置



法例要求收集所有電氣和電子設備以便重新使用和回收。所有有標示電器和電子設備的符號均表示需要分開收集這些設備，並棄置到指定廢物收集點。

請記錄下列產品資料

- 型號

- 機身編號

- 經銷商名稱

- 購買日期

本產品不斷改進中，如功能有所更改，恕不另行通知，如有疑問，請與客戶服務中心聯絡，不便之處，敬請原諒。

說明書內容以英文版本為準

ToolBox Customer Service Centre 客戶服務中心：
4/F, DCH Building, 20 Kai Cheung Road, Kowloon Bay, Hong Kong
香港九龍灣啓祥道20號大昌行集團大廈4樓

Customer Service Hotline 客戶服務熱線：(852) 8210 8210
Service E-mail 電郵地址：8210service@gilman-group.com
Please register now at 請即上網登記：www.toolbox.hk
Website 網址：www.gilman-group.com



Proudly Serviced by:



太平家庭電器